

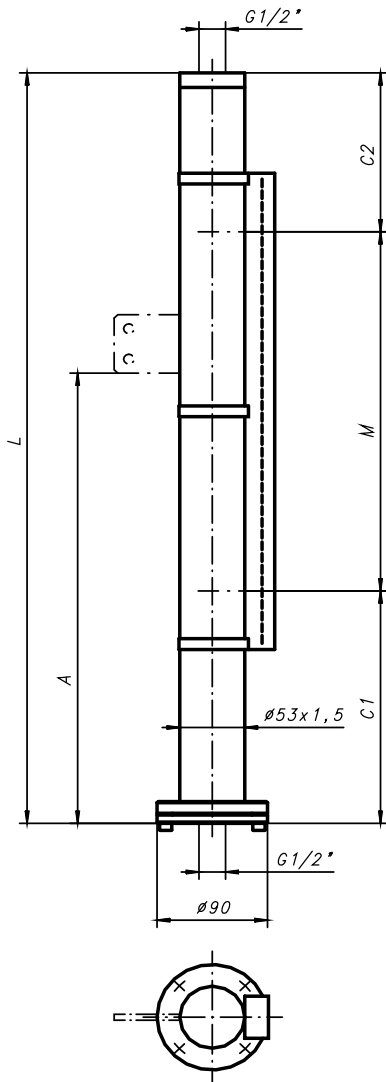
Visual Level Indicators (VLI) Standard Series

Series	Type	Material	Pipe O.D. x s (mm)	Operating Pressure	Operating Temperature	Seite
Standard 6	23614-A	316/316L	53.0 x 1.5	max. 6bar @ 20°C	-80°C ... +150°C	2
"	23614-B	"	"	"	"	3
"	23614-K	"	"	"	"	4
"	23614-O	"	"	"	"	5
"	Pressure Temperature Rating for Standard Series 6					6
"	Float selection diagram for Standard Series 6					7
Standard 28	34300-A	316&316L	53.0 x 1.5	max. 28bar @ 20°C	-100°C ... +400°C	8
"	34300-B	"	"	"	"	9
"	34300-K	"	"	"	"	10
"	34300-O	"	"	"	"	11
"	Pressure Temperature Rating for Standard Series 28					12
"	Float selection diagram for Standard Series 28					13
Standard 50	32755-A	316/316L	54.0 x 2.0	max. 50bar @ 20°C	-80°C ... +400°C	14
"	32755-B	"	"	"	"	15
"	32755-K	"	"	"	"	16
"	32755-O	"	"	"	"	17
"	Pressure Temperature Rating for Standard Series 50					18
"	Float selection diagram for Standard Series 50					19
	Mounting specification for switches and transmitters drawing no. 20010501					20

Standard Series 6

Type: 23614-A

Design meets the requirements of PED 2014/68/EU and harmonized standards



Float extension lower / upper:

	C1:	C2:
Standard	180	130

C1 & C2 shorter or longer, if out of standard range or with damping springs

Purchase Order Data:

Company: Project:
 Purchase order no.:
 Quantity: Tag no.:

Operating Conditions

Fluid:
 Density: $\geq 0.69\text{g/cm}^3, \leq 1.5\text{g/cm}^3$ g/cm³:
 Viscosity: $\leq 600\text{cSt}$ cSt:
 Operating pressure: max. 6bar(g) @ 20°C *1) bar(g):
 Design pressure: " bar(g):
 Operating temperature: -80°C ... +150°C *1) °C:
 Design temperature: " °C:
 Connecting Distance "L": max. 5800mm (one-piece design) mm:

Design and Materials:

Float chamber: 316/316L Screws and nuts: A2-70, ISO 3506
 Float: 316L (Standard) type no.: **36223/20 / 38662/20**
 NBR type no.: **39525/0.8 / 1.0 / 1.2**
 type no.:

other materials and densities see float selection diagram or on request

Damping spring top and bottom, 1.4401 No.: 27399
 Gaskets: Fibre compound Aramid/NBR (<150°C) Standard
 PTFE, non reinforced, racked (<250°C)
 Graphite incl. reinforcing net in SS 316 (<400°C)

Process connections:

Connection threads:
 - female G1/2" (ISO 7-1 / ISO 228-1), without plug Standard
 - other connection threads see price list

Indication Rail:

PC, IP65 (<150°C)	Flaps: red-silver	No.: 34837	Standard <input type="checkbox"/>
PC, IP68, inert gas (<150°C)	Flaps: red-silver	No.: 41008	<input type="checkbox"/>
Al/PC, IP54 (<250°C)	Flaps: red-silver	No.: 34560	<input type="checkbox"/>
Al/glass, IP54 (<400°C)	Flaps: black-silver	No.: 37100	<input type="checkbox"/>
Special	Flaps: <input type="text"/>	No.: <input type="text"/>	<input type="checkbox"/>

Accessories (installation instructions see spec. no. 20010501)

Fixation bracket, moveable no. 45143-2: dimension "A" [mm]:
 Magnetic switch: quantity: type:
 Transmitter: resolution [mm]: **5 / 10** type:
 measuring length M_{el} [mm]:
 Converter: type:
 Further accessories:

Test reports and certificates:

EN10204:2004-3.1 certificate for used materials of the float chamber:

Special executions and notes:

Notes:

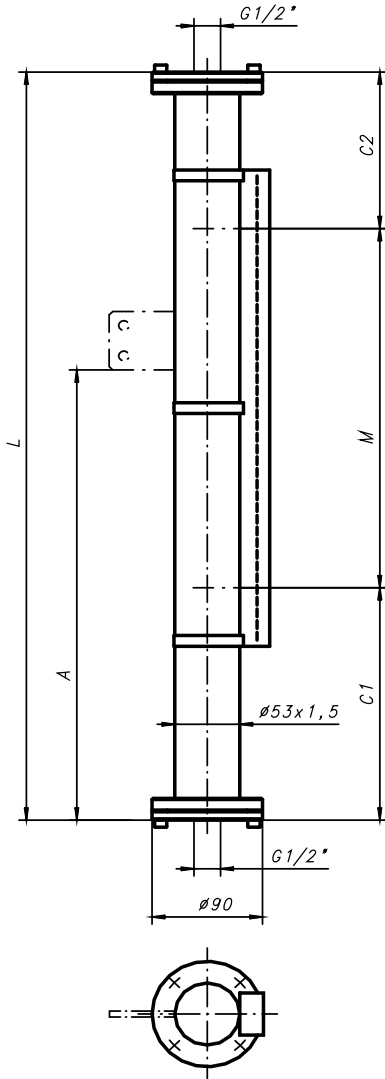
- *1) Refer to pressure-temperature rating! Lowest pressure-temperature rating of any connecting flange or fitting will set the limitation!
 Test pressure will be specified according to WEKA specification AW 2.1.2.

All indicated dimensions in mm. All dimensions are only valid on VLI in standard execution.

Standard Series 6

Type: 23614-B

Design meets the requirements of PED 2014/68/EU and harmonized standards



Float extension lower / upper:

	C1:	C2:
Standard	180	130

C1 & C2 shorter or longer, if out of standard range or with damping springs

Purchase Order Data:

Company:	Project:
Purchase order no.:	
Quantity:	Tag no.:

Operating Conditions

Fluid:	
Density:	$\geq 0.69\text{g/cm}^3, \leq 1.5\text{g/cm}^3$ g/cm ³ :
Viscosity:	$\leq 600\text{cSt}$ cSt:
Operating pressure:	max. 6bar(g) @ 20°C *1) bar(g):
Design pressure:	" bar(g):
Operating temperature:	-80°C ... +150°C *1) °C:
Design temperature:	" °C:
Connecting Distance "L":	max. 5800mm (one-piece design) mm:

Design and Materials:

Float chamber:	316/316L	Screws and nuts:	A2-70, ISO 3506
Float:	316L (Standard)	type no.:	36223/20 / 38662/20
	NBR	type no.:	39525/0.8 /1.0 /1.2
		type no.:	

other materials and densities see float selection diagram or on request

Damping spring top and bottom, 1.4401	No.:	27399	<input type="checkbox"/>
Gaskets:	Fibre compound Aramid/NBR (<150°C)	Standard	<input type="checkbox"/>
	PTFE, non reinforced, racked (<250°C)		<input type="checkbox"/>
	Graphite incl. reinforcing net in SS 316 (<400°C)		<input type="checkbox"/>

Process connections:

Connection threads:

- female G1/2" (ISO 7-1 / ISO 228-1), without plug Standard
- other connection threads see price list

Indication Rail:

PC, IP65 (<150°C)	Flaps: red-silver	No.:	34837	Standard	<input type="checkbox"/>
PC, IP68, inert gas (<150°C)	Flaps: red-silver	No.:	41008		<input type="checkbox"/>
Al/PC, IP54 (<250°C)	Flaps: red-silver	No.:	34560		<input type="checkbox"/>
Al/glass, IP54 (<400°C)	Flaps: black-silver	No.:	37100		<input type="checkbox"/>
Special	Flaps:	No.:			<input type="checkbox"/>

Accessories (installation instructions see spec. no. 20010501)

Fixation bracket, moveable no. 45143-2:	dimension "A" [mm]:	
Magnetic switch:	quantity:	type:
Transmitter:	resolution [mm]:	type:
	measuring length M _{el} [mm]:	
Converter:	type:	
Further accessories:		

Test reports and certificates:

EN10204:2004-3.1 certificate for used materials of the float chamber:

Special executions and notes:

Notes:

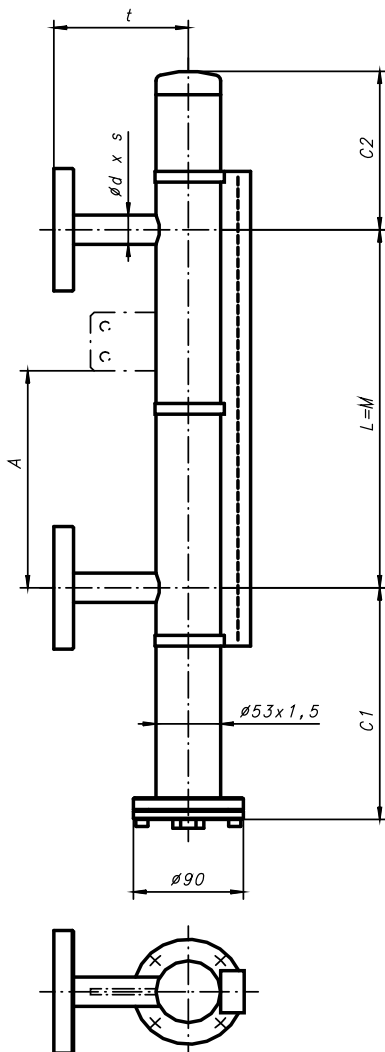
*1) Refer to pressure-temperature rating! Lowest pressure-temperature rating of any connecting flange or fitting will set the limitation!
Test pressure will be specified according to WEKA specification AW 2.1.2.

All indicated dimensions in mm. All dimensions are only valid on VLI in standard execution.

Standard Series 6

Type: 23614-K

Design meets the requirements of PED 2014/68/EU and harmonized standards



Purchase Order Data:

Company: Project:
 Purchase order no.:
 Quantity: Tag no.:

Operating Conditions

Fluid:
 Density: $\geq 0.69\text{g/cm}^3, \leq 1.5\text{g/cm}^3$ g/cm³:
 Viscosity: $\leq 600\text{cSt}$ cSt:
 Operating pressure: max. 6bar(g) @ 20°C *1) bar(g):
 Design pressure: " bar(g):
 Operating temperature: -80°C ... +150°C *1) °C:
 Design temperature: " °C:
 Connecting Distance "L": max. 5600mm (one-piece design) mm:

Design and Materials:

Float chamber: 316/316L Screws and nuts: A2-70, ISO 3506
 Float: 316L (Standard) type no.: 36223/20 / 38662/20
 NBR type no.: 39525/0.8 / 1.0 / 1.2
 type no.:

other materials and densities see float selection diagram or on request

Damping spring top and bottom, 1.4401 No.: 27399
 Gaskets: Fibre compound Aramid/NBR (<150°C) Standard
 PTFE, non reinforced, raked (<250°C)
 Graphite incl. reinforcing net in SS 316 (<400°C)

Process connections:

EN-Connecting Flanges acc. EN1092-1 (Standard): DN15:
 - EN1092-1/01 A/DNxx/PN40/316L DN20:
 - plate flanges, FF, Rz=12,5 ... 50µm, turning DN25:

ANSI/class150 (= ISO/PN20) - connecting flanges: ANSI 1/2" resp. ISO DN15 :
 - ANSI/ASME B16.5 / ISO-DIS7005-1.2, type 01/B1 ANSI 3/4" resp. ISO DN20 :
 - plate flanges, RF SF, Rz=12,5 ... 50µm, turning ANSI 1" resp. ISO DN25 :

Other Connections

Drain connection thread (Standard) (for vent see price list):

G3/8" (ISO7-1/ISO228-1) with plug R3/8" (ISO7-1) and PTFE tape (<=250°C)
 G3/8" (ISO7-1/ISO228-1) with plug G3/8" (ISO228-1) and Ni gasket (>250°C)

Indication Rail:

PC, IP65 (<150°C) Flaps: red-silver No.: 34837 Standard
 PC, IP68, inert gas (<150°C) Flaps: red-silver No.: 41008
 Al/PC, IP54 (<250°C) Flaps: red-silver No.: 34560
 Al/glass, IP54 (<400°C) Flaps: black-silver No.: 37100
 Special Flaps: No.:

Accessories (installation instructions see spec. no. 20010501)

Fixation bracket, moveable no. 45143-2: dimension "A" [mm]:
 Magnetic switch: quantity: type:
 Transmitter: resolution [mm]: 5 / 10 type:
 measuring length M_{el} [mm]:
 Converter: type:
 Further accessories:

Test reports and certificates:

EN10204:2004-3.1 certificate for used materials of the float chamber:

Special executions and notes:

Float extension lower / upper:

	C1:	C2:
Standard	180	130

C1 & C2 shorter or longer, if out of standard range or with damping springs

Standard flange connections:

	EN	ANSI/ISO
Connection pieces, d*s:		
DN15:	21.3*2.0	21.3*2.0
DN20:	26.9*2.0	26.9*2.0
DN25:	33.7*2.0	33.7*2.0
≥ DN32 *2):	33.7*2.0	33.7*2.0
Dimension t:		
DN15:	110	110
DN20:	110	110
DN25:	110	110
≥ DN32 *2):	tba on request 3):	

Notes:

*1) Refer to pressure-temperature rating! Lowest pressure-temperature rating of any connecting flange or fitting will set the limitation!
 Test pressure will be specified according to WEKA specification AW 2.1.2.

*2) With special reduction flanges.

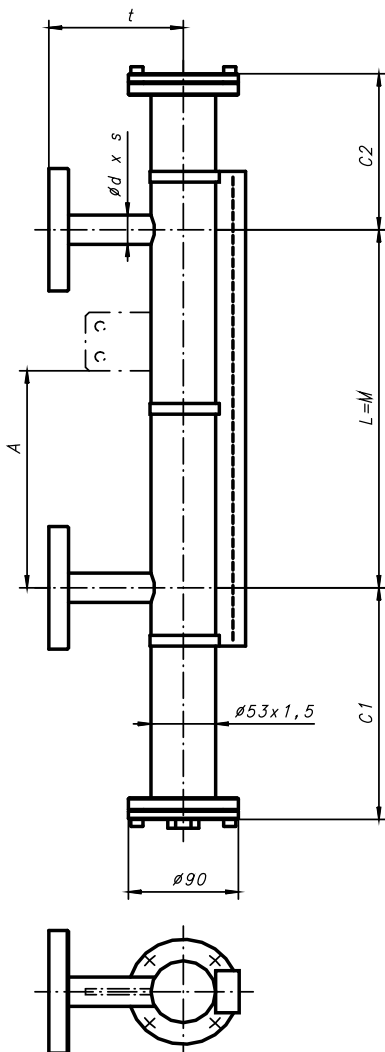
*3) Depending on size of connecting flanges.

All indicated dimensions in mm. All dimensions are only valid on VLI in standard execution.

Standard Series 6

Type: 23614-O

Design meets the requirements of PED 2014/68/EU and harmonized standards



Float extension lower / upper:

	C1:	C2:
Standard	180	130

C1 & C2 shorter or longer, if out of standard range or with damping springs

Standard flange connections:

	EN	ANSI/ISO
Connection pieces, d*s:		
DN15:	21.3*2.0	21.3*2.0
DN20:	26.9*2.0	26.9*2.0
DN25:	33.7*2.0	33.7*2.0
≥ DN32 *2):	33.7*2.0	33.7*2.0
Dimension t:		
DN15:	110	110
DN20:	110	110
DN25:	110	110
≥ DN32 *2):	tba on request 3):	

Purchase Order Data:

Company:
Purchase order no.:
Quantity:

Project:	
Tag no.:	

Operating Conditions

Fluid:		
Density:	≥ 0.69g/cm ³ , ≤ 1.5g/cm ³	g/cm ³ :
Viscosity:	≤ 600cSt	cSt:
Operating pressure:	max. 6bar(g) @ 20°C *1)	bar(g):
Design pressure:	"	bar(g):
Operating temperature:	-80°C ... +150°C *1)	°C:
Design temperature:	"	°C:
Connecting Distance "L":	max. 5600mm (one-piece design)	mm:

Design and Materials:

Float chamber:	316/316L	Screws and nuts:	A2-70, ISO 3506
Float:	316L (Standard)	type no.:	36223/20 / 38662/20
	NBR	type no.:	39525/0.8 / 1.0 / 1.2
		type no.:	

other materials and densities see float selection diagram or on request

Damping spring top and bottom, 1.4401	No.:	27399	<input type="checkbox"/>
Gaskets:	Fibre compound Aramid/NBR (<150°C)	Standard	<input type="checkbox"/>
	PTFE, non reinforced, raked (<250°C)		<input type="checkbox"/>
	Graphite incl. reinforcing net in SS 316 (<400°C)		<input type="checkbox"/>

Process connections:

EN-Connecting Flanges acc. EN1092-1 (Standard):	DN15:	<input type="checkbox"/>
- EN1092-1/01 A/DNxx/PN40/316L	DN20:	<input type="checkbox"/>
- plate flanges, FF, Rz=12,5 ... 50µm, turning	DN25:	<input type="checkbox"/>

ANSI/class150 (= ISO/PN20) - connecting flanges:	ANSI 1/2" resp. ISO DN15 :	<input type="checkbox"/>
- ANSI/ASME B16.5 / ISO-DIS7005-1.2, type 01/B1	ANSI 3/4" resp. ISO DN20 :	<input type="checkbox"/>
- plate flanges, RF SF, Rz=12,5 ... 50µm, turning	ANSI 1" resp. ISO DN25 :	<input type="checkbox"/>

Other Connections

--

Drain connection thread (Standard) (for vent see price list):

G3/8" (ISO7-1/ISO228-1) with plug R3/8" (ISO7-1) and PTFE tape (<=250°C)	<input type="checkbox"/>
G3/8" (ISO7-1/ISO228-1) with plug G3/8" (ISO228-1) and Ni gasket (>250°C)	<input type="checkbox"/>

Indication Rail:

PC, IP65 (<150°C)	Flaps: red-silver	No.:	34837	Standard	<input type="checkbox"/>
PC, IP68, inert gas (<150°C)	Flaps: red-silver	No.:	41008		<input type="checkbox"/>
Al/PC, IP54 (<250°C)	Flaps: red-silver	No.:	34560		<input type="checkbox"/>
Al/glass, IP54 (<400°C)	Flaps: black-silver	No.:	37100		<input type="checkbox"/>
Special	Flaps:	No.:			<input type="checkbox"/>

Accessories (installation instructions see spec. no. 20010501)

Fixation bracket, moveable no. 45143-2:	dimension "A" [mm]:	
Magnetic switch:	quantity:	type:
Transmitter:	resolution [mm]:	type:
	measuring length M _{el} [mm]:	
Converter:	type:	
Further accessories:		

Test reports and certificates:

EN10204:2004-3.1 certificate for used materials of the float chamber:	<input type="checkbox"/>
---	--------------------------

Special executions and notes:

--

Notes:

*1) Refer to pressure-temperature rating! Lowest pressure-temperature rating of any connecting flange or fitting will set the limitation!
Test pressure will be specified according to WEKA specification AW 2.1.2.

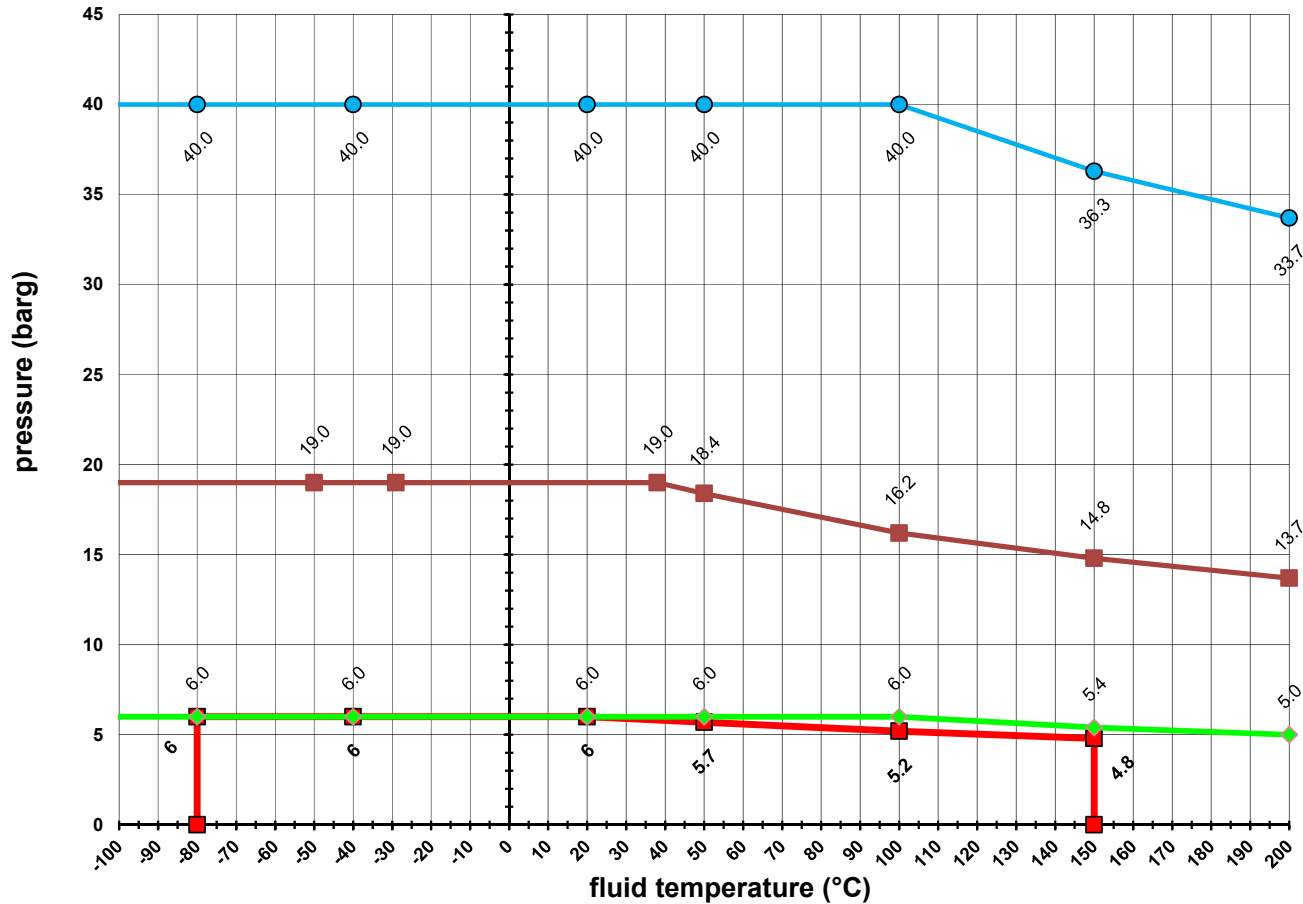
*2) With special reduction flanges.

*3) Depending on size of connecting flanges.

All indicated dimensions in mm. All dimensions are only valid on VLI in standard execution.

Pressure-temperature-rating for VLI Standard 6, type 23614

Max. 6bar(g) @ 20°C, up to max. 150°C for VLI bypass float chamber in SS EN 1.4401, 1.4436 & 1.4404, 1.4435 resp. ANSI 316&316L



- VLI StandardLine 6
all types 23614 (-A, -B, -K, -O)

- ◆ EN 1092-1 PN6 flanges
Double certified 1.4401/1.4436 & 1.4404/1.4435
Material group 13E0 & 14E0

- ANSI B16.5 class150 flanges
ISO 7005-1 PN20
Double certified 316&316L
Material group 2.2 resp. 2A2

- EN 1092-1 PN40 flanges
Double certified 1.4401/1.4436 & 1.4404/1.4435
Material group 13E0 & 14E0

Other flanges on request

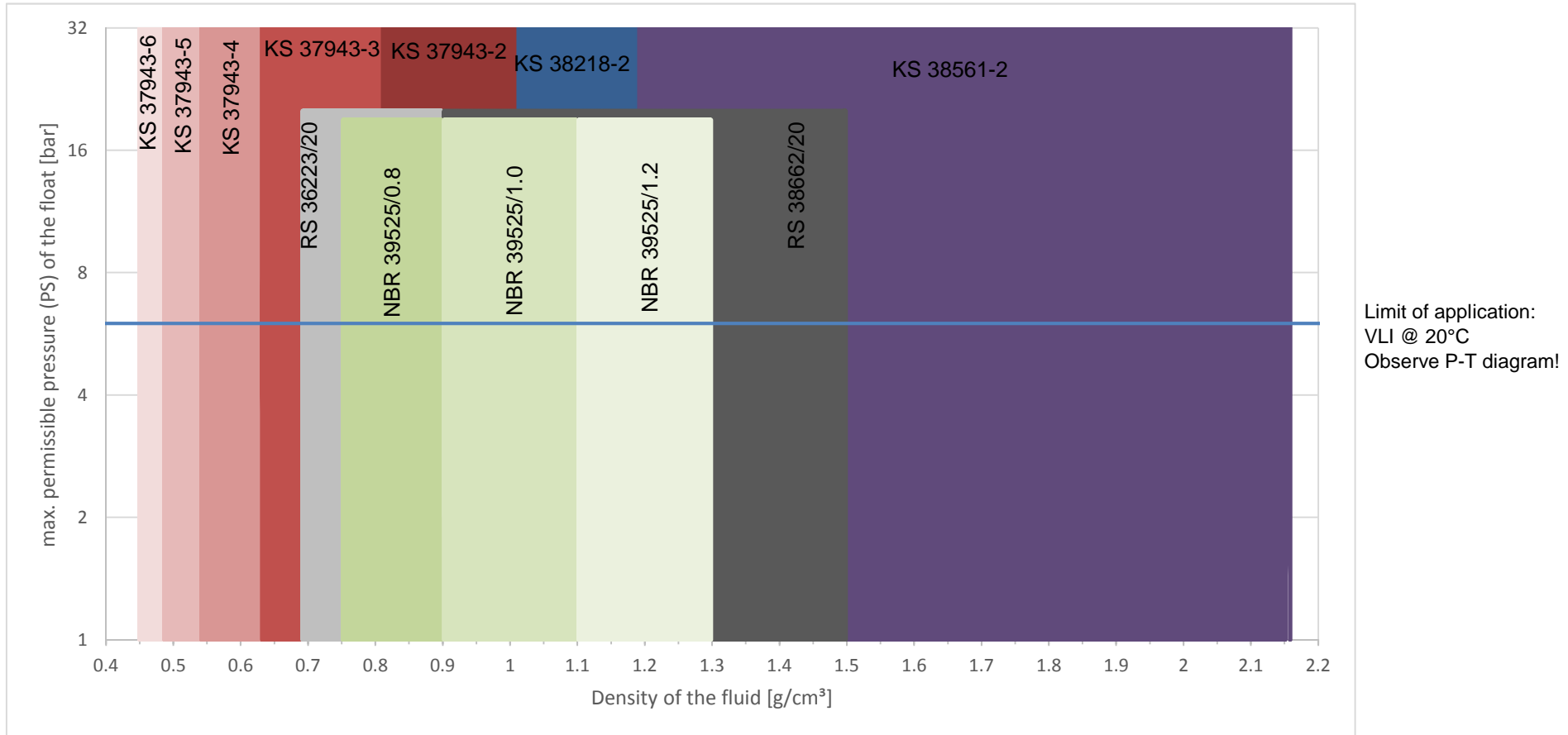
Notes:

- EN1092-1 flanges PN25 and PN40 up to DN150 have identical interface dimensions
- Tolerated max pressure @ specified temperature of the VLI is given either by the bypass tube or by the connection flanges
- Lower value sets the limitation! ---

operating range	AlNiCo magnet
	NBR
	PTFE pure or spiral wound 316
	Graphite pure or spiral wound 316
	PC indication rail
	Al or SS standard indication rail
	Al or SS high temperature indication rail
SS screws and nuts in A2-70	

Float selection diagram VLI Typ 23614, Standad Line 6

These data apply for an operating temperature of m20°C.
For higher operating temperatures, please check the max. permissible float pressure on the respective data sheet.



Comments:

KS = ball float

RS = casing float

NBR = foamed plastic float

Interior diameter of the float chamber = 50.0mm

For steam or condensate applications, please check the use of damping springs

Additional charge for densities < 0.54g/cm³ due to extended length of bottom float run-out and ball float with more than 4 balls

Additional charge for densities < 0.69g/cm³ and > 1.5g/cm³ due to ball float and possibly extended length of bottom float run-out

Example 37943-X = number of balls

Example 36223/XX = max. permissible pressure in bar @ 20°C

Example 39525/X.X = density range of the floats in g/cm³

Material = Titan Alloy

Material = 316L

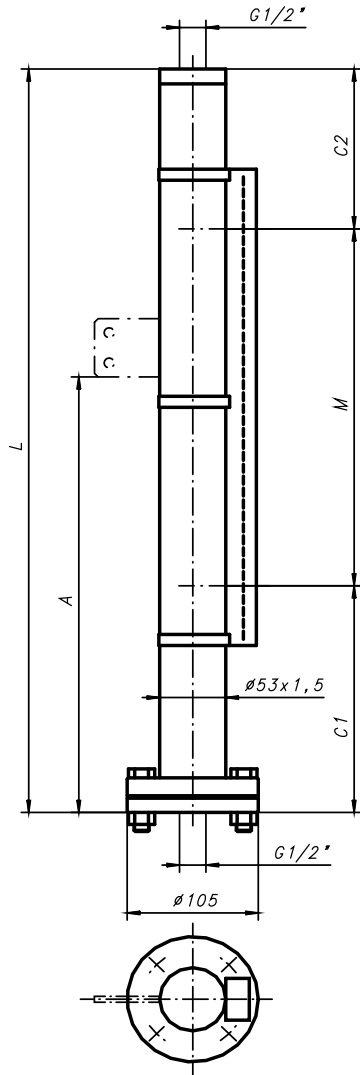
Material = NBR

Attention: Check media compatibility

Standard Series 28

Type: 34300-A

Design meets the requirements of PED 2014/68/EU and harmonized standards



Float extension lower / upper:

	C1:	C2:
Standard	190	130

C1 & C2 shorter or longer, if out of standard range or with damping springs

Purchase Order Data:

Company: Project:
 Purchase order no.:
 Quantity: Tag no.:

Operating Conditions

Fluid:
 Density: $\geq 0.54\text{g/cm}^3, \leq 1.5\text{g/cm}^3$ g/cm³:
 Viscosity: $\leq 600\text{cSt}$ cSt:
 Operating pressure: max. 28bar(g) @ 20°C *1) bar(g):
 Design pressure: " bar(g):
 Operating temperature: -100°C ... +400°C *1) °C:
 Design temperature: " °C:
 Connecting Distance "L": max. 5800mm (one-piece design) mm:

Design and Materials:

Float chamber: 316&316L Screws and nuts: A2-70, ISO 3506
 Float: 316L (Standard) type no.: **36223/20 / 38662/20**
 Ti alloy type no.: **37943-2 / -3 / -4**
 type no.:

other materials and densities see float selection diagram or on request

Damping spring top and bottom, 1.4401 No.: 27399
 Gaskets: Fibre compound Aramid/NBR (<150°C) Standard
 PTFE, non reinforced, racked (<250°C)
 Graphite incl. reinforcing net in SS 316 (<400°C)

Process connections:

Connection threads:
 - female G1/2" (ISO 7-1 / ISO 228-1), without plug Standard
 - other connection threads see price list

Indication Rail:

PC, IP65 (<150°C)	Flaps: red-silver	No.: 34837	Standard <input type="checkbox"/>
PC, IP68, inert gas (<150°C)	Flaps: red-silver	No.: 41008	<input type="checkbox"/>
Al/PC, IP54 (<250°C)	Flaps: red-silver	No.: 34560	<input type="checkbox"/>
Al/glass, IP54 (<400°C)	Flaps: black-silver	No.: 37100	<input type="checkbox"/>
Special	Flaps: <input type="text"/>	No.: <input type="text"/>	<input type="checkbox"/>

Accessories (installation instructions see spec. no. 20010501)

Fixation bracket, moveable no. 45143-2: dimension "A" [mm]:
 Magnetic switch: quantity: type:
 Transmitter: resolution [mm]: **5 / 10** type:
 measuring length M_{el} [mm]:
 Converter: type:
 Further accessories:

Test reports and certificates:

EN10204:2004-3.1 certificate for used materials of the float chamber:

Special executions and notes:

Notes:

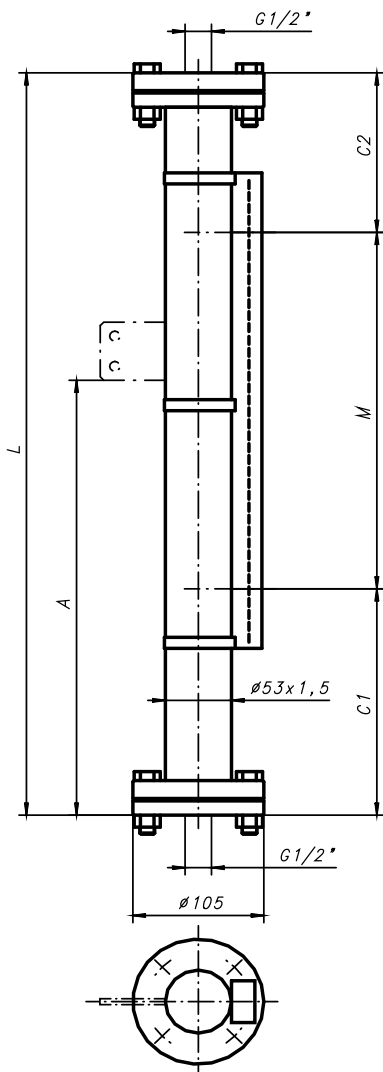
- *1) Refer to pressure-temperature rating! Lowest pressure-temperature rating of any connecting flange or fitting will set the limitation!
 Test pressure will be specified according to WEKA specification AW 2.1.2.

All indicated dimensions in mm. All dimensions are only valid on VLI in standard execution.

Standard Series 28

Type: 34300-B

Design meets the requirements of PED 2014/68/EU and harmonized standards



Float extension lower / upper:

	C1:	C2:
Standard	190	135

C1 & C2 shorter or longer, if out of standard range or with damping springs

Purchase Order Data:

Company: Project:
 Purchase order no.:
 Quantity: Tag no.:

Operating Conditions

Fluid:
 Density: $\geq 0.54\text{g/cm}^3, \leq 1.5\text{g/cm}^3$ g/cm³:
 Viscosity: $\leq 600\text{cSt}$ cSt:
 Operating pressure: max. 28bar(g) @ 20°C *1) bar(g):
 Design pressure: " bar(g):
 Operating temperature: -100°C ... +400°C *1) °C:
 Design temperature: " °C:
 Connecting Distance "L": max. 5800mm (one-piece design) mm:

Design and Materials:

Float chamber: 316&316L Screws and nuts: A2-70, ISO 3506
 Float: 316L (Standard) type no.: **36223/20 / 38662/20**
 Ti alloy type no.: **37943-2 / -3 / -4**
 type no.:

other materials and densities see float selection diagram or on request

Damping spring top and bottom, 1.4401 No.: 27399
 Gaskets: Fibre compound Aramid/NBR (<150°C) Standard
 PTFE, non reinforced, racked (<250°C)
 Graphite incl. reinforcing net in SS 316 (<400°C)

Process connections:

Connection threads:
 - female G1/2" (ISO 7-1 / ISO 228-1), without plug Standard
 - other connection threads see price list

Indication Rail:

PC, IP65 (<150°C)	Flaps: red-silver	No.: 34837	Standard <input type="checkbox"/>
PC, IP68, inert gas (<150°C)	Flaps: red-silver	No.: 41008	<input type="checkbox"/>
Al/PC, IP54 (<250°C)	Flaps: red-silver	No.: 34560	<input type="checkbox"/>
Al/glass, IP54 (<400°C)	Flaps: black-silver	No.: 37100	<input type="checkbox"/>
Special	Flaps: <input type="text"/>	No.: <input type="text"/>	<input type="checkbox"/>

Accessories (installation instructions see spec. no. 20010501)

Fixation bracket, moveable no. 45143-2: dimension "A" [mm]:
 Magnetic switch: quantity: type:
 Transmitter: resolution [mm]: **5 / 10** type:
 measuring length M_{el} [mm]:
 Converter: type:
 Further accessories:

Test reports and certificates:

EN10204:2004-3.1 certificate for used materials of the float chamber:

Special executions and notes:

Notes:

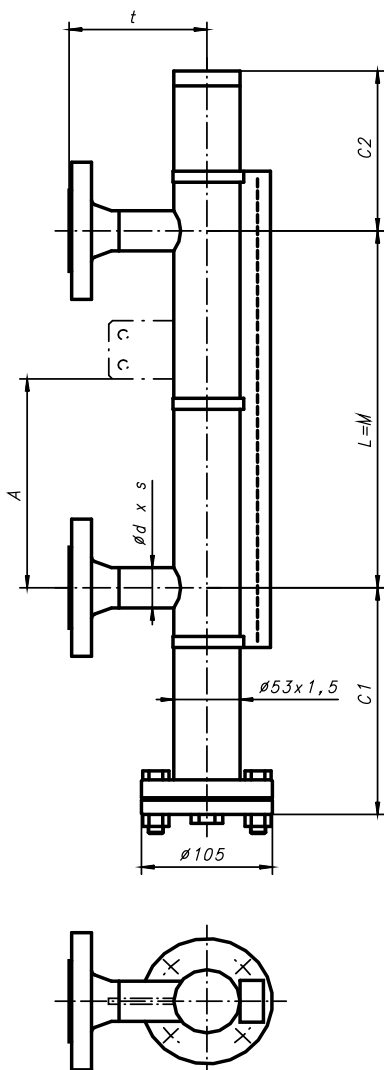
- *1) Refer to pressure-temperature rating! Lowest pressure-temperature rating of any connecting flange or fitting will set the limitation!
 Test pressure will be specified according to WEKA specification AW 2.1.2.

All indicated dimensions in mm. All dimensions are only valid on VLI in standard execution.

Standard Series 28

Type: 34300-K

Design meets the requirements of PED 2014/68/EU and harmonized standards



Purchase Order Data:

Company:	Project:
Purchase order no.:	
Quantity:	Tag no.:

Operating Conditions

Fluid:		
Density:	$\geq 0.54\text{g/cm}^3, \leq 1.5\text{g/cm}^3$	g/cm ³ :
Viscosity:	$\leq 600\text{cSt}$	cSt:
Operating pressure:	max. 28bar(g) @ 20°C *1)	bar(g):
Design pressure:	"	bar(g):
Operating temperature:	-100°C ... +400°C *1)	°C:
Design temperature:	"	°C:
Connecting Distance "L":	max. 5600mm (one-piece design)	mm:

Design and Materials:

Float chamber:	316&316L	Screws and nuts:	A2-70, ISO 3506
Float:	316L (Standard)	type no.:	36223/20 / 38662/20
	Ti alloy	type no.:	37943-2 / -3 / -4
		type no.:	

other materials and densities see float selection diagram or on request

Damping spring top and bottom, 1.4401	No.:	27399	<input type="checkbox"/>
Gaskets:	Fibre compound Aramid/NBR (<150°C)	Standard	<input type="checkbox"/>
	PTFE, non reinforced, racked (<250°C)		<input type="checkbox"/>
	Graphite incl. reinforcing net in SS 316 (<400°C)		<input type="checkbox"/>

Process connections:

EN-Connecting Flanges acc. EN1092-1 (Standard):	DN15:	<input type="checkbox"/>
- EN1092-1/11 B1/DNxx/PN40/316L	DN20:	<input type="checkbox"/>
- wn-flange, RF, Rz=12,5 ... 50µm, turning	DN25:	<input type="checkbox"/>

ANSI/class150 (= ISO/PN20) - connecting flanges:	ANSI 1/2" resp. ISO DN15 :	<input type="checkbox"/>
- ANSI/ASME B16.5 / ISO-DIS7005-1.2, type 11/B1	ANSI 3/4" resp. ISO DN20 :	<input type="checkbox"/>
- wn-flanges, RF SF, Rz=12,5 ... 50µm, turning	ANSI 1" resp. ISO DN25 :	<input type="checkbox"/>

Other Connections

	<input type="checkbox"/>
--	--------------------------

Drain connection thread (Standard) (for vent see price list):

G3/8" (ISO7-1/ISO228-1) with plug R3/8" (ISO7-1) and PTFE tape (<=250°C)	<input type="checkbox"/>
G3/8" (ISO7-1/ISO228-1) with plug G3/8" (ISO228-1) and Ni gasket (>250°C)	<input type="checkbox"/>

Indication Rail:

PC, IP65 (<150°C)	Flaps: red-silver	No.:	34837	Standard	<input type="checkbox"/>
PC, IP68, inert gas (<150°C)	Flaps: red-silver	No.:	41008		<input type="checkbox"/>
Al/PC, IP54 (<250°C)	Flaps: red-silver	No.:	34560		<input type="checkbox"/>
Al/glass, IP54 (<400°C)	Flaps: black-silver	No.:	37100		<input type="checkbox"/>
Special	Flaps:	No.:			<input type="checkbox"/>

Accessories (installation instructions see spec. no. 20010501)

Fixation bracket, moveable no. 45143-2:	dimension "A" [mm]:	<input type="text"/>
Magnetic switch:	quantity:	<input type="text"/>
Transmitter:	resolution [mm]:	5 / 10
	measuring length M _{el} [mm]:	<input type="text"/>
Converter:	type:	<input type="text"/>
Further accessories:	<input type="text"/>	

Test reports and certificates:

EN10204:2004-3.1 certificate for used materials of the float chamber:	<input type="checkbox"/>
---	--------------------------

Special executions and notes:

<input type="text"/>

Float extension lower / upper:

	C1:	C2:
Standard	190	130

C1 & C2 shorter or longer, if out of standard range or with damping springs

Standard flange connections:

	EN	ANSI/ISO
Connection pieces, d*s:		
DN15:	21.3*2.0	21.3*2.0
DN20:	26.9*2.0	26.9*2.0
DN25:	33.7*2.0	33.7*2.0
≥ DN32 *2):	33.7*2.0	33.7*2.0
Dimension t:		
DN15:	110	119
DN20:	110	122
DN25:	110	125
≥ DN32 *2):	tba on request 3):	

Notes:

*1) Refer to pressure-temperature rating! Lowest pressure-temperature rating of any connecting flange or fitting will set the limitation!
Test pressure will be specified according to WEKA specification AW 2.1.2.

*2) With special reduction flanges.

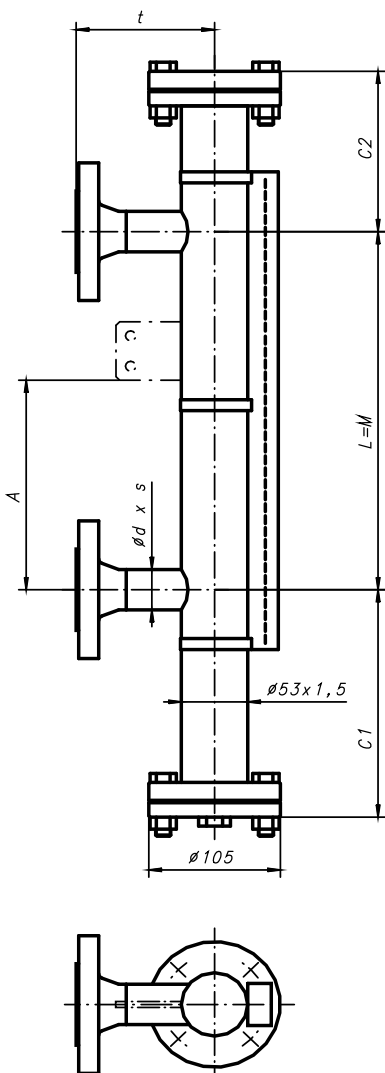
*3) Depending on size of connecting flanges.

All indicated dimensions in mm. All dimensions are only valid on VLI in standard execution.

Standard Series 28

Type: 34300-O

Design meets the requirements of PED 2014/68/EU and harmonized standards



Float extension lower / upper:

	C1:	C2:
Standard	190	135

C1 & C2 shorter or longer, if out of standard range or with damping springs

Standard flange connections:

	EN	ANSI/ISO
Connection pieces, d*s:		
DN15:	21.3*2.0	21.3*2.0
DN20:	26.9*2.0	26.9*2.0
DN25:	33.7*2.0	33.7*2.0
≥ DN32 *2):	33.7*2.0	33.7*2.0
Dimension t:		
DN15:	110	119
DN20:	110	122
DN25:	110	125
≥ DN32 *2):	tba on request 3):	

Purchase Order Data:

Company: Project:
 Purchase order no.:
 Quantity: Tag no.:

Operating Conditions

Fluid:
 Density: ≥ 0.54g/cm³, ≤ 1.5g/cm³ g/cm³:
 Viscosity: ≤ 600cSt cSt:
 Operating pressure: max. 28bar(g) @ 20°C *1) bar(g):
 Design pressure: " bar(g):
 Operating temperature: -100°C ... +400°C *1) °C:
 Design temperature: " °C:
 Connecting Distance "L": max. 5600mm (one-piece design) mm:

Design and Materials:

Float chamber: 316&316L Screws and nuts: A2-70, ISO 3506
 Float: 316L (Standard) type no.: **36223/20 / 38662/20**
 Ti alloy type no.: **37943-2 / -3 / -4**
 type no.:

other materials and densities see float selection diagram or on request

Damping spring top and bottom, 1.4401 No.: 27399
 Gaskets: Fibre compound Aramid/NBR (<150°C) Standard
 PTFE, non reinforced, racked (<250°C)
 Graphite incl. reinforcing net in SS 316 (<400°C)

Process connections:

EN-Connecting Flanges acc. EN1092-1 (Standard): DN15:
 - EN1092-1/11 B1/DNxx/PN40/316L DN20:
 - wn-flange, RF, Rz=12,5 ... 50µm, turning DN25:

ANSI/class150 (= ISO/PN20) - connecting flanges: ANSI 1/2" resp. ISO DN15 :
 - ANSI/ASME B16.5 / ISO-DIS7005-1.2, type 11/B1 ANSI 3/4" resp. ISO DN20 :
 - wn-flanges, RF SF, Rz=12,5 ... 50µm, turning ANSI 1" resp. ISO DN25 :

Other Connections

Drain connection thread (Standard) (for vent see price list):

G3/8" (ISO7-1/ISO228-1) with plug R3/8" (ISO7-1) and PTFE tape (<=250°C)
 G3/8" (ISO7-1/ISO228-1) with plug G3/8" (ISO228-1) and Ni gasket (>250°C)

Indication Rail:

PC, IP65 (<150°C) Flaps: red-silver No.: 34837 Standard
 PC, IP68, inert gas (<150°C) Flaps: red-silver No.: 41008
 Al/PC, IP54 (<250°C) Flaps: red-silver No.: 34560
 Al/glass, IP54 (<400°C) Flaps: black-silver No.: 37100
 Special Flaps: No.:

Accessories (installation instructions see spec. no. 20010501)

Fixation bracket, moveable no. 45143-2: dimension "A" [mm]:
 Magnetic switch: quantity: type:
 Transmitter: resolution [mm]: **5 / 10** type:
 measuring length M_{el} [mm]:
 Converter: type:
 Further accessories:

Test reports and certificates:

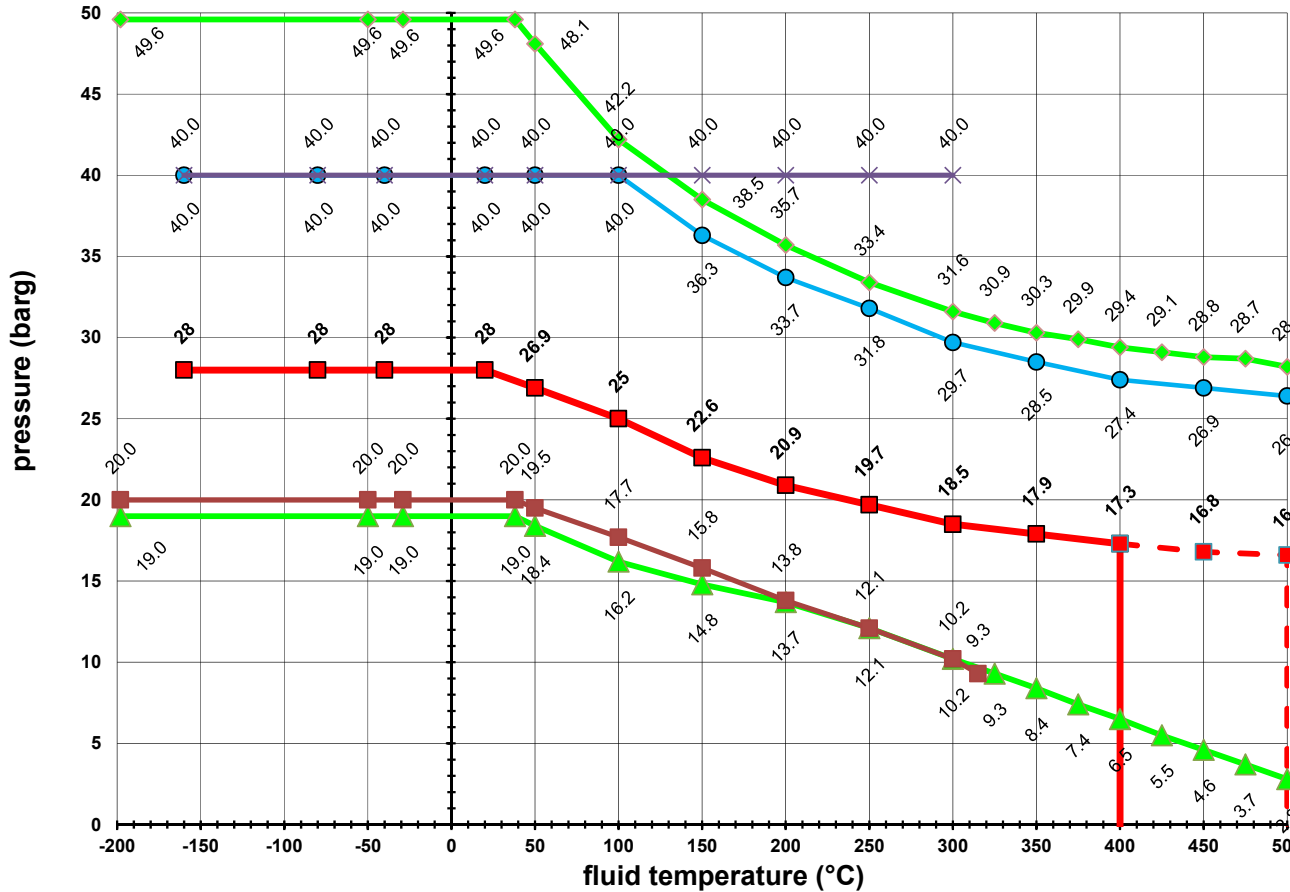
EN10204:2004-3.1 certificate for used materials of the float chamber:

Special executions and notes:

Notes:

- *1) Refer to pressure-temperature rating! Lowest pressure-temperature rating of any connecting flange or fitting will set the limitation!
 Test pressure will be specified according to WEKA specification AW 2.1.2.
- *2) With special reduction flanges.
- *3) Depending on size of connecting flanges.

All indicated dimensions in mm. All dimensions are only valid on VLI in standard execution.

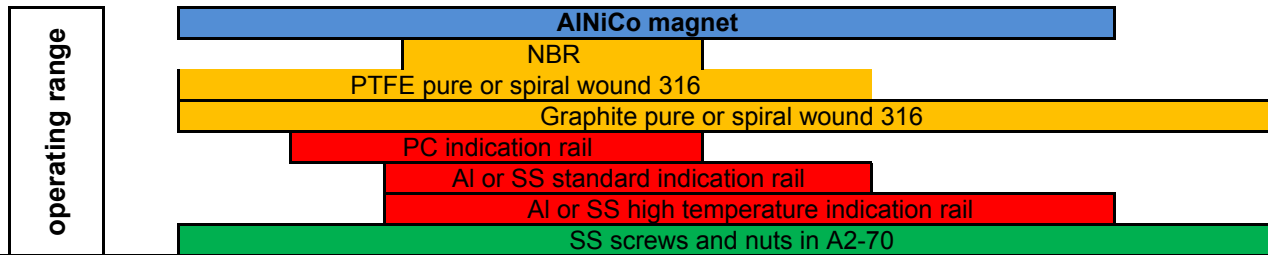


- VLI StandardLine 28
all types 34300 (-A, -B, -K, -O)
- - - Additional range of float chamber
without float and magnet
- EN 1092-1 PN40 flanges
Double certified 1.4401/1.4436 & 1.4404/1.4435
Material group 13E0 & 14E0
- ▲ ANSI B16.5 class150 flanges
ISO 7005-1 PN20
Double certified 316&316L
Material group 2.2 resp. 2A2
- ANSI B16.5 class150 flanges
1.4462 (Duplex)
Material group 2.8
ASTM A182 Gr. F51
- ◆ ANSI B16.5 class300 flanges
ISO 7005-1 PN50
Double certified 316&316L
Material group 2.2 resp. 2A2
- × EN 1092-1 PN40 flanges
1.4462 (Duplex)
Material group 16E0

Other flanges on request

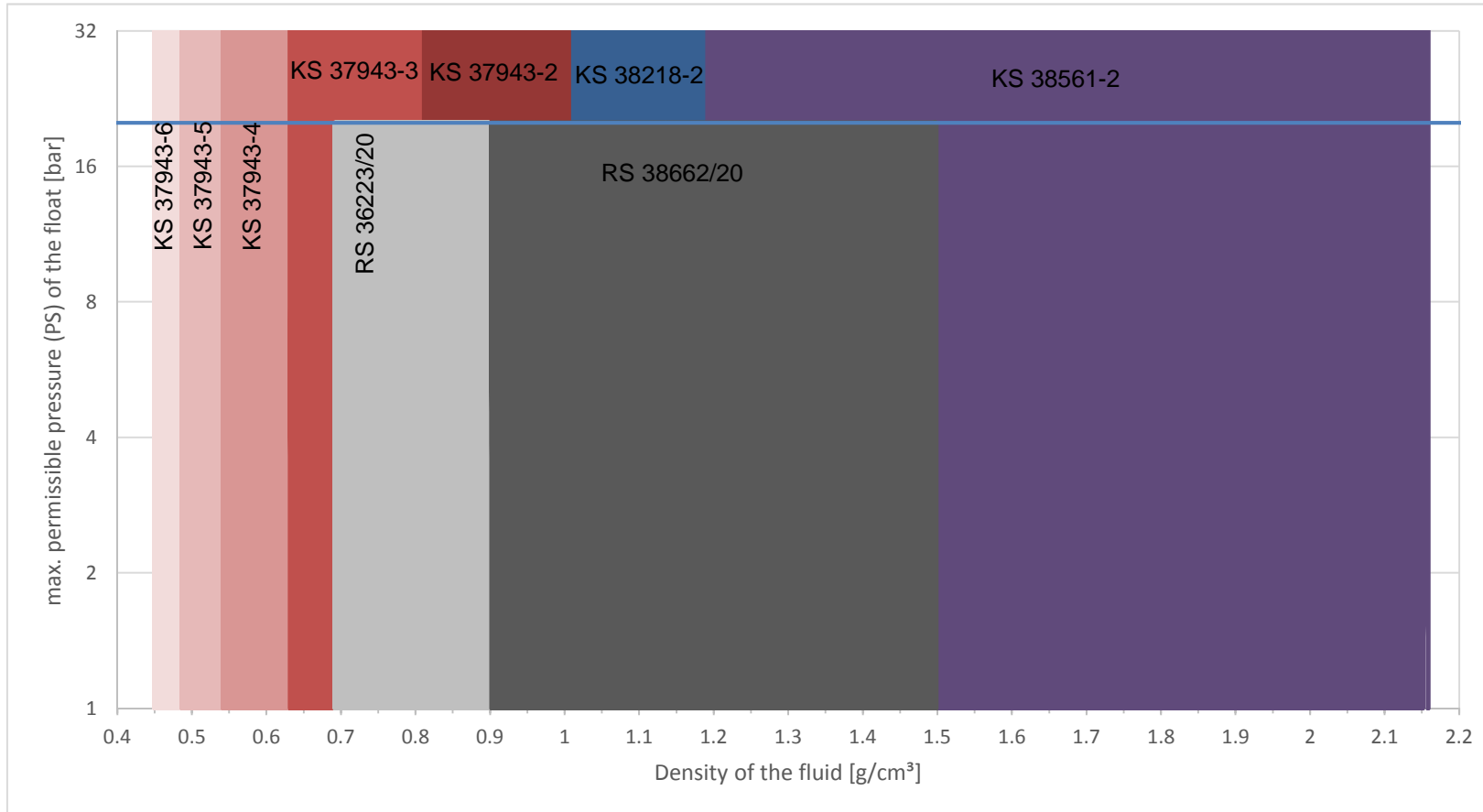
Notes:

- EN1092-1 flanges PN25 and PN40 up to DN150 have identical interface dimensions
- Tolerated max pressure @ specified temperature of the VLI is given either by the bypass tube or by the connection flanges
- Lower value sets the limitation! ---



Float selection diagram VLI Typ 34300, Standad Line 28

These data apply for an operating temperature of 20°C.
For higher operating temperatures, please check the max. permissible float pressure on the respective data sheet.



Limit of application:
VLI @ 20°C
Observe P-T diagram!

Comments:

KS = ball float

RS = casing float

Interior diameter of the float chamber = 50.0mm

For steam or condensate applications, please check the use of damping springs

Additional charge for densities < 0.54g/cm³ due to extended length of bottom float run-out and ball float with more than 4 balls

Additional charge for densities > 1.5g/cm³ due to ball float

Example 37943-X = number of balls

Example 36223/XX = max. permissible pressure in bar @ 20°C

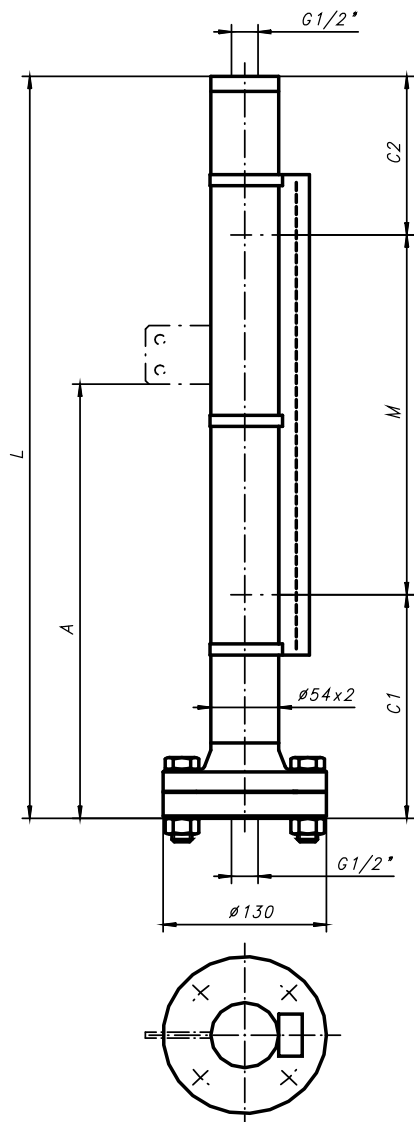
Material = Titan Alloy

Material = 316L

Standard Series 50

Type: 32755-A

Design meets the requirements of PED 2014/68/EU and harmonized standards



Float extension lower / upper:

	C1:	C2:
Standard	190	135

C1 & C2 shorter or longer, if out of standard range or with damping springs

Purchase Order Data:

Company: Project:
 Purchase order no.:
 Quantity: Tag no.:

Operating Conditions

Fluid:
 Density: $\geq 0.54\text{g/cm}^3, \leq 1.45\text{g/cm}^3$ g/cm³:
 Viscosity: $\leq 600\text{cSt}$ cSt:
 Operating pressure: max. 50bar(g) @ 20°C *1) bar(g):
 Design pressure: " bar(g):
 Operating temperature: -80°C ... +400°C *1) °C:
 Design temperature: " °C:
 Connecting Distance "L": max. 5800mm (one-piece design) mm:

Design and Materials:

Float chamber: 316/316L Screws and nuts: A2-70, ISO 3506
 Float: Ti alloy (Standard) type no.: **37943-2 / -3 / -4**
 type no.:
 other materials and densities see float selection diagram or on request

Damping spring top and bottom, 1.4401 No.: 27399
 Gaskets: Fibre compound Aramid/NBR (<150°C) Standard
 PTFE, non reinforced, racked (<250°C)
 Graphite incl. reinforcing net in SS 316 (<400°C)

Process connections:

Connection threads:
 - female G1/2" (ISO 7-1 / ISO 228-1), without plug Standard
 - other connection threads see price list

Indication Rail:

PC, IP65 (<150°C)	Flaps: red-silver	No.: 34837	Standard <input type="checkbox"/>
PC, IP68, inert gas (<150°C)	Flaps: red-silver	No.: 41008	<input type="checkbox"/>
Al/PC, IP54 (<250°C)	Flaps: red-silver	No.: 34560	<input type="checkbox"/>
Al/glass, IP54 (<400°C)	Flaps: black-silver	No.: 37100	<input type="checkbox"/>
Special	Flaps: <input type="text"/>	No.: <input type="text"/>	<input type="checkbox"/>

Accessories (installation instructions see spec. no. 20010501)

Fixation bracket, moveable no. 45143-2: dimension "A" [mm]:
 Magnetic switch: quantity: type:
 Transmitter: resolution [mm]: **5 / 10** type:
 measuring length M_{el} [mm]:
 Converter: type:
 Further accessories:

Test reports and certificates:

EN10204:2004-3.1 certificate for used materials of the float chamber:

Special executions and notes:

Notes:

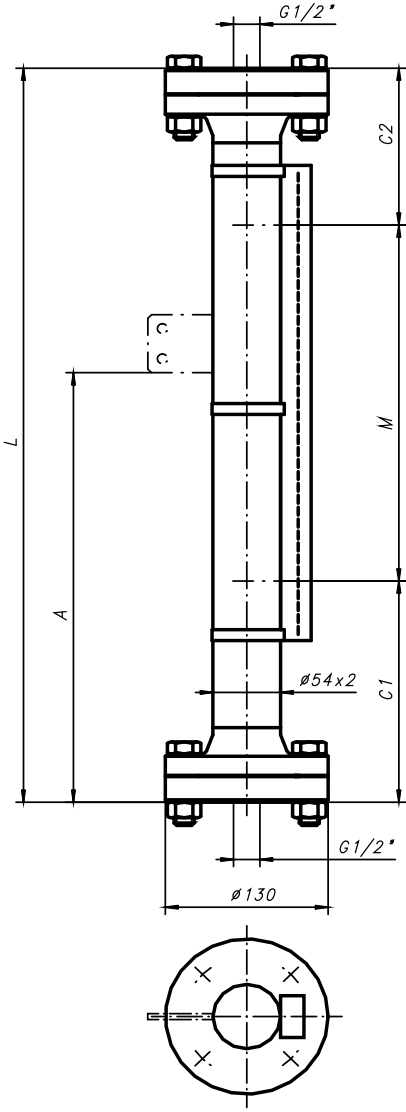
*1) Refer to pressure-temperature rating! Lowest pressure-temperature rating of any connecting flange or fitting will set the limitation!
 Test pressure will be specified according to WEKA specification AW 2.1.2.

All indicated dimensions in mm. All dimensions are only valid on VLI in standard execution.

Standard Series 50

Type: 32755-B

Design meets the requirements of PED 2014/68/EU and harmonized standards



Float extension lower / upper:

	C1:	C2:
Standard	190	140

C1 & C2 shorter or longer, if out of standard range or with damping springs

Purchase Order Data:

Company: Project:
 Purchase order no.:
 Quantity: Tag no.:

Operating Conditions

Fluid:
 Density: $\geq 0.54\text{g/cm}^3, \leq 1.45\text{g/cm}^3$ g/cm³:
 Viscosity: $\leq 600\text{cSt}$ cSt:
 Operating pressure: max. 50bar(g) @ 20°C *1) bar(g):
 Design pressure: " bar(g):
 Operating temperature: -80°C ... +400°C *1) °C:
 Design temperature: " °C:
 Connecting Distance "L": max. 5800mm (one-piece design) mm:

Design and Materials:

Float chamber: 316/316L Screws and nuts: A2-70, ISO 3506
 Float: Ti alloy (Standard) type no.: **37943-2 / -3 / -4**
 type no.:
 other materials and densities see float selection diagram or on request

Damping spring top and bottom, 1.4401 No.: 27399
 Gaskets: Fibre compound Aramid/NBR (<150°C) Standard
 PTFE, non reinforced, racked (<250°C)
 Graphite incl. reinforcing net in SS 316 (<400°C)

Process connections:

Connection threads:
 - female G1/2" (ISO 7-1 / ISO 228-1), without plug Standard
 - other connection threads see price list

Indication Rail:

PC, IP65 (<150°C)	Flaps: red-silver	No.: 34837	Standard <input type="checkbox"/>
PC, IP68, inert gas (<150°C)	Flaps: red-silver	No.: 41008	<input type="checkbox"/>
Al/PC, IP54 (<250°C)	Flaps: red-silver	No.: 34560	<input type="checkbox"/>
Al/glass, IP54 (<400°C)	Flaps: black-silver	No.: 37100	<input type="checkbox"/>
Special	Flaps: <input type="text"/>	No.: <input type="text"/>	<input type="checkbox"/>

Accessories (installation instructions see spec. no. 20010501)

Fixation bracket, moveable no. 45143-2: dimension "A" [mm]:
 Magnetic switch: quantity: type:
 Transmitter: resolution [mm]: **5 / 10** type:
 measuring length M_{el} [mm]:
 Converter: type:
 Further accessories:

Test reports and certificates:

EN10204:2004-3.1 certificate for used materials of the float chamber:

Special executions and notes:

Notes:

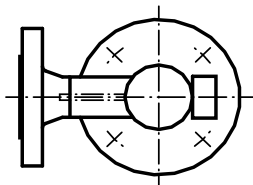
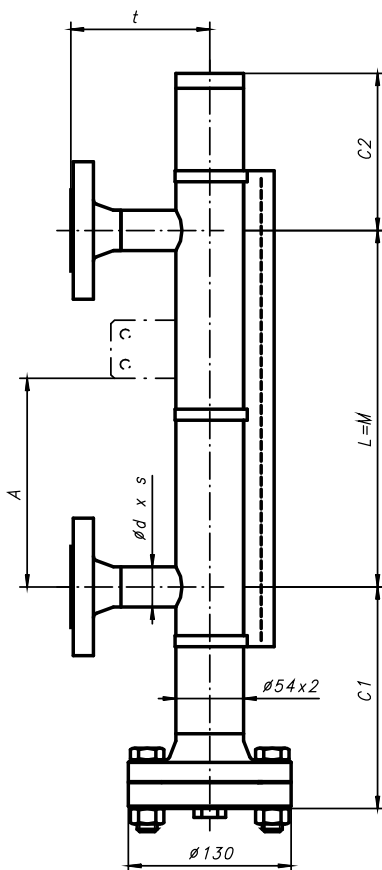
*1) Refer to pressure-temperature rating! Lowest pressure-temperature rating of any connecting flange or fitting will set the limitation!
 Test pressure will be specified according to WEKA specification AW 2.1.2.

All indicated dimensions in mm. All dimensions are only valid on VLI in standard execution.

Standard Series 50

Type: 32755-K

Design meets the requirements of PED 2014/68/EU and harmonized standards



Float extension lower / upper:

	C1:	C2:
Standard	190	135

C1 & C2 shorter or longer, if out of standard range or with damping springs

Standard flange connections:

	EN	ANSI/ISO
Connection pieces, d*s:		
DN15:	21.3*2.0	21.3*2.0
DN20:	26.9*2.0	26.9*2.0
DN25:	33.7*2.0	33.7*2.0
≥ DN32 *2):	33.7*2.0	33.7*2.0
Dimension t:		
DN15:	110	124
DN20:	110	127
DN25:	110	132
≥ DN32 *2):	tba on request 3):	

Purchase Order Data:

Company: Project:
 Purchase order no.:
 Quantity: Tag no.:

Operating Conditions

Fluid:
 Density: ≥ 0.54g/cm³, ≤ 1.45g/cm³ g/cm³:
 Viscosity: ≤ 600cSt cSt:
 Operating pressure: max. 50bar(g) @ 20°C *1) bar(g):
 Design pressure: " bar(g):
 Operating temperature: -80°C ... +400°C *1) °C:
 Design temperature: " °C:
 Connecting Distance "L": max. 5600mm (one-piece design) mm:

Design and Materials:

Float chamber: 316/316L Screws and nuts: A2-70, ISO 3506
 Float: Ti alloy (Standard) type no.: **37943-2 / -3 / -4**
 type no.:
 other materials and densities see float selection diagram or on request

Damping spring top and bottom, 1.4401 No.: 27399
 Gaskets: Fibre compound Aramid/NBR (<150°C) Standard
 PTFE, non reinforced, raked (<250°C)
 Graphite incl. reinforcing net in SS 316 (<400°C)

Process connections:

EN-Connecting Flanges acc. EN1092-1 (Standard): DN15:
 - EN1092-1/11 B1/DNxx/PN40/316L DN20:
 - wn-flange, RF, Rz=12,5 ... 50µm, turning DN25:
ANSI/class300 (= ISO/PN50) - connecting flanges: ANSI 1/2" resp. ISO DN15 :
 - ANSI/ASME B16.5 / ISO-DIS7005-1.2, type 11/B1 ANSI 3/4" resp. ISO DN20 :
 - wn-flanges, RF SF, Rz=12,5 ... 50µm, turning ANSI 1" resp. ISO DN25 :

Other Connections

Drain connection thread (Standard) (for vent see price list):

G3/8" (ISO7-1/ISO228-1) with plug R3/8" (ISO7-1) and PTFE tape (<=250°C)
 G3/8" (ISO7-1/ISO228-1) with plug G3/8" (ISO228-1) and Ni gasket (>250°C)

Indication Rail:

PC, IP65 (<150°C) Flaps: red-silver No.: 34837 Standard
 PC, IP68, inert gas (<150°C) Flaps: red-silver No.: 41008
 Al/PC, IP54 (<250°C) Flaps: red-silver No.: 34560
 Al/glass, IP54 (<400°C) Flaps: black-silver No.: 37100
 Special Flaps: No.:

Accessories (installation instructions see spec. no. 20010501)

Fixation bracket, moveable no. 45143-2: dimension "A" [mm]:
 Magnetic switch: quantity: type:
 Transmitter: resolution [mm]: **5 / 10** type:
 measuring length M_{el} [mm]:
 Converter: type:
 Further accessories:

Test reports and certificates:

EN10204:2004-3.1 certificate for used materials of the float chamber:

Special executions and notes:

Notes:

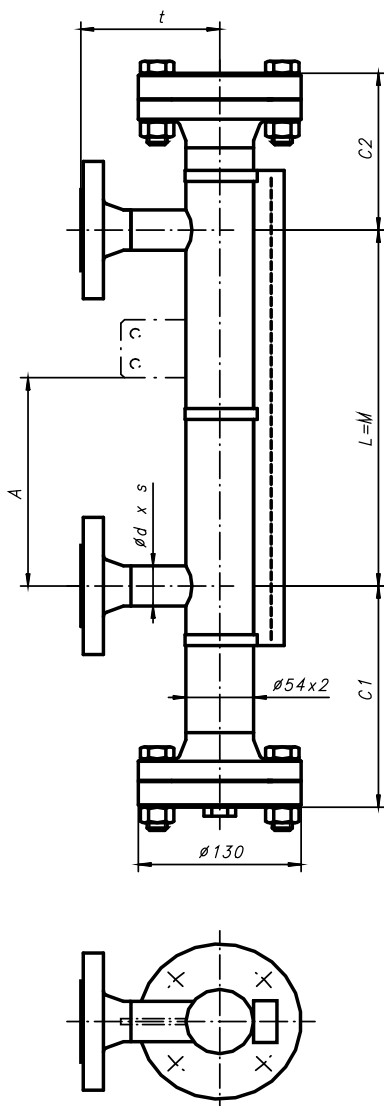
- *1) Refer to pressure-temperature rating! Lowest pressure-temperature rating of any connecting flange or fitting will set the limitation!
 Test pressure will be specified according to WEKA specification AW 2.1.2.
- *2) With special reduction flanges.
- *3) Depending on size of connecting flanges.

All indicated dimensions in mm. All dimensions are only valid on VLI in standard execution.

Standard Series 50

Type: 32755-O

Design meets the requirements of PED 2014/68/EU and harmonized standards



Float extension lower / upper:

	C1:	C2:
Standard	190	140

C1 & C2 shorter or longer, if out of standard range or with damping springs

Standard flange connections:

	EN	ANSI/ISO
Connection pieces, d*s:		
DN15:	21.3*2.0	21.3*2.0
DN20:	26.9*2.0	26.9*2.0
DN25:	33.7*2.0	33.7*2.0
≥ DN32 *2):	33.7*2.0	33.7*2.0
Dimension t:		
DN15:	110	124
DN20:	110	127
DN25:	110	132
≥ DN32 *2):	tba on request 3):	

Purchase Order Data:

Company: Project:
 Purchase order no.:
 Quantity: Tag no.:

Operating Conditions

Fluid:
 Density: ≥ 0.54g/cm³, ≤ 1.45g/cm³ g/cm³:
 Viscosity: ≤ 600cSt cSt:
 Operating pressure: max. 50bar(g) @ 20°C *1) bar(g):
 Design pressure: " bar(g):
 Operating temperature: -80°C ... +400°C *1) °C:
 Design temperature: " °C:
 Connecting Distance "L": max. 5600mm (one-piece design) mm:

Design and Materials:

Float chamber: 316/316L Screws and nuts: A2-70, ISO 3506
 Float: Ti alloy (Standard) type no.: **37943-2 / -3 / -4**
 type no.:
 other materials and densities see float selection diagram or on request

Damping spring top and bottom, 1.4401 No.: 27399
 Gaskets: Fibre compound Aramid/NBR (<150°C) Standard
 PTFE, non reinforced, raked (<250°C)
 Graphite incl. reinforcing net in SS 316 (<400°C)

Process connections:

EN-Connecting Flanges acc. EN1092-1 (Standard): DN15:
 - EN1092-1/11 B1/DNxx/PN40/316L DN20:
 - wn-flange, RF, Rz=12,5 ... 50µm, turning DN25:
ANSI/class300 (= ISO/PN50) - connecting flanges: ANSI 1/2" resp. ISO DN15 :
 - ANSI/ASME B16.5 / ISO-DIS7005-1.2, type 11/B1 ANSI 3/4" resp. ISO DN20 :
 - wn-flanges, RF SF, Rz=12,5 ... 50µm, turning ANSI 1" resp. ISO DN25 :

Other Connections

Drain connection thread (Standard) (for vent see price list):

G3/8" (ISO7-1/ISO228-1) with plug R3/8" (ISO7-1) and PTFE tape (<=250°C)
 G3/8" (ISO7-1/ISO228-1) with plug G3/8" (ISO228-1) and Ni gasket (>250°C)

Indication Rail:

PC, IP65 (<150°C) Flaps: red-silver No.: 34837 Standard
 PC, IP68, inert gas (<150°C) Flaps: red-silver No.: 41008
 Al/PC, IP54 (<250°C) Flaps: red-silver No.: 34560
 Al/glass, IP54 (<400°C) Flaps: black-silver No.: 37100
 Special Flaps: No.:

Accessories (installation instructions see spec. no. 20010501)

Fixation bracket, moveable no. 45143-2: dimension "A" [mm]:
 Magnetic switch: quantity: type:
 Transmitter: resolution [mm]: **5 / 10** type:
 measuring length M_{el} [mm]:
 Converter: type:
 Further accessories:

Test reports and certificates:

EN10204:2004-3.1 certificate for used materials of the float chamber:

Special executions and notes:

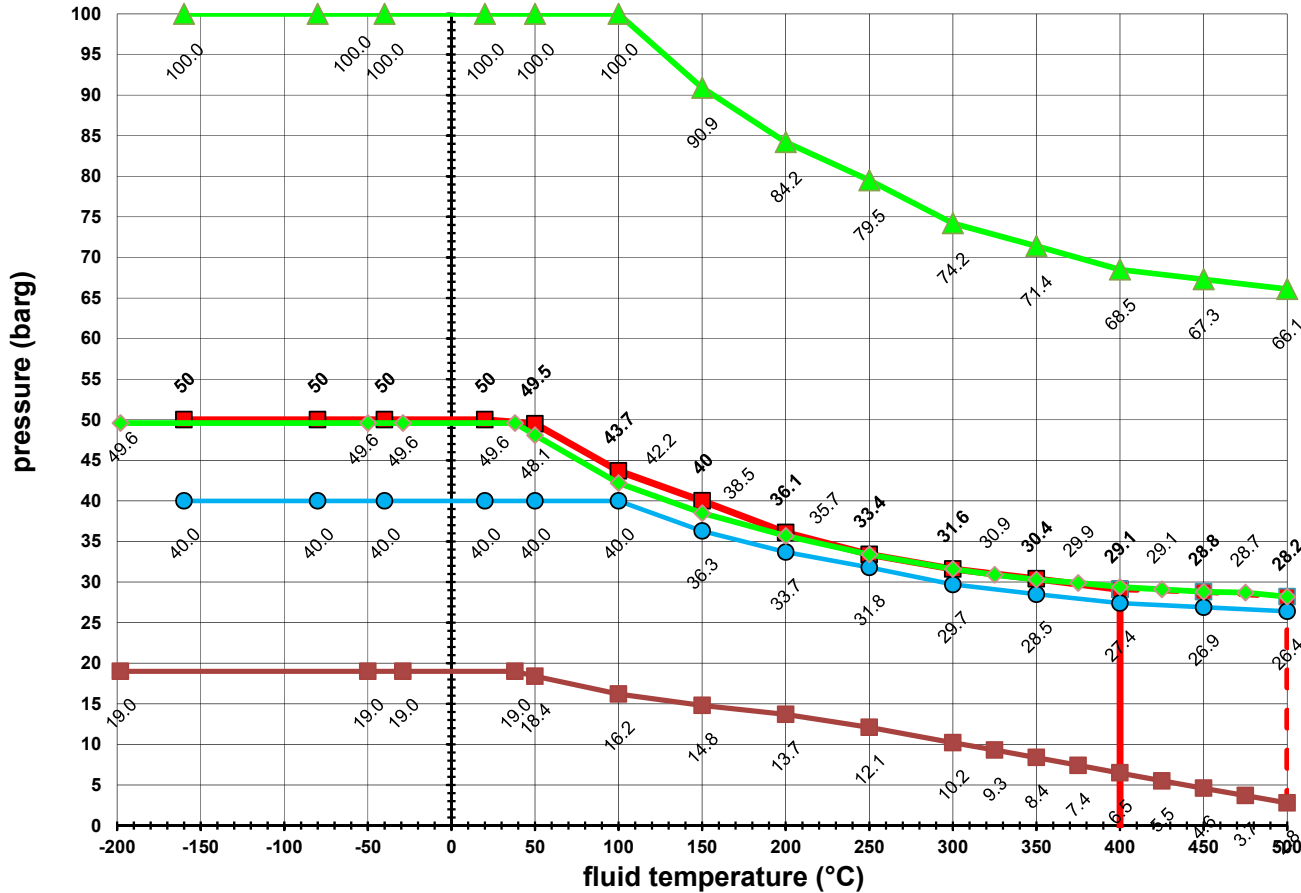
Notes:

- *1) Refer to pressure-temperature rating! Lowest pressure-temperature rating of any connecting flange or fitting will set the limitation! Test pressure will be specified according to WEKA specification AW 2.1.2.
- *2) With special reduction flanges.
- *3) Depending on size of connecting flanges.

All indicated dimensions in mm. All dimensions are only valid on VLI in standard execution.

Pressure-temperature-rating for VLI Standard 50, type 32755

Max. 50bar(g) @ 20°C, up to max. 500°C for VLI bypass float chamber in SS EN 1.4401, 1.4436 & 1.4404, 1.4435 resp. ANSI 316&316L

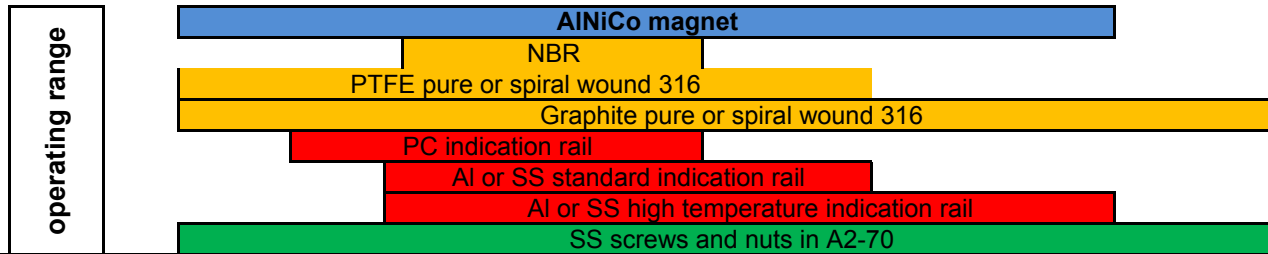


- VLI StandardLine 50
all types 32755 (-A, -B, -K, -O)
- - - Additional range of float chamber
without float and magnet
- ANSI B16.5 class150 flanges
ISO 7005-1 PN20
Double certified 316&316L
Material group 2.2 resp. 2A2
- EN 1092-1 PN40 flanges
Double certified 1.4401/1.4436 &
1.4404/1.4435
Material group 13E0 & 14E0
- ◆ ANSI B16.5 class300 flanges
ISO 7005-1 PN50
Double certified 316&316L
Material group 2.2 resp. 2A2
- ▲ EN 1092-1 PN100 flanges
Double certified 1.4401/1.4436 &
1.4404/1.4435
Material group 13E0 & 14E0

Other flanges on request

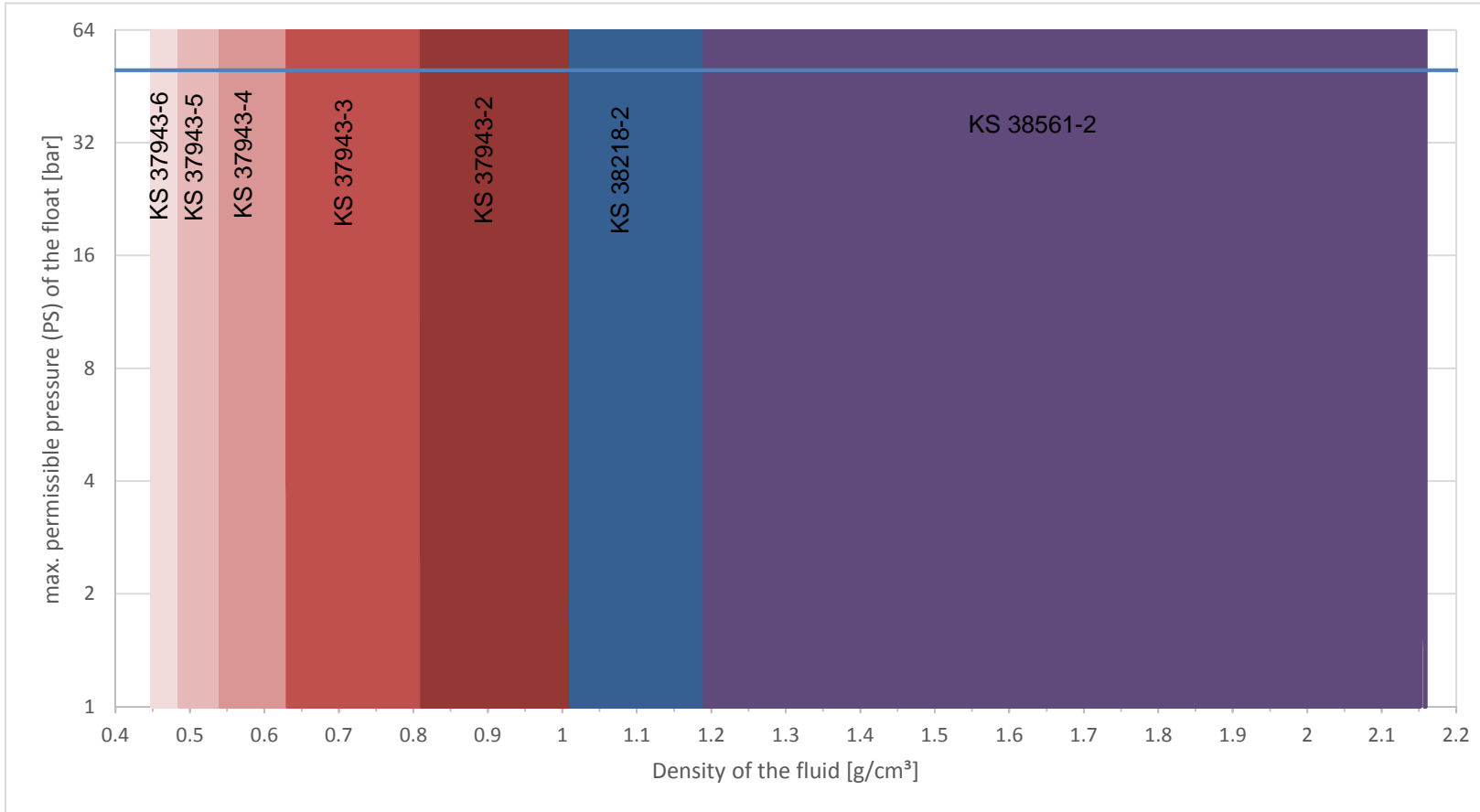
Notes:

- EN1092-1 flanges PN25 and PN40 up to DN150 have identical interface dimensions
- Tolerated max pressure @ specified temperature of the VLI is given either by the bypass tube or by the connection flanges
- Lower value sets the limitation! ---



Float selection diagram
VLI Typ 32755, Standad Line 50

These data apply for an operating temperature of m20°C.
For higher operating temperatures, please check the max. permissible float pressure on the respective data sheet.



Limit of application:
VLI @ 20°C
Observe P-T diagram!

Comments:

KS = ball float Example 37943-X = number of balls Material = Titan Alloy
Interior diameter of the float chamber = 50.0mm
For steam or condensate applications, please check the use of damping springs
Additional charge for densities < 0.54g/cm³ due to extended length of bottom float run-out and ball float with more than 4 balls
Additional charge for densities > 1.45g/cm³ due to ball float

Mounting **Standard:** Valid is the indicated switching function on the type label (float below switch)
 Installation 180 °C opposite of the indication rail with the permitted tolerance according to the tube diameter
 Cable exit downwards

Variation: Each of the following variants leads to a reversion of the indicated switching logic:
 Mounting with cable exit upwards
 Mounting adjacent to the indication rail

