

MOUNT YOUR EQUIPMENT IN A FIELD PROTECTION ENCLOSURE



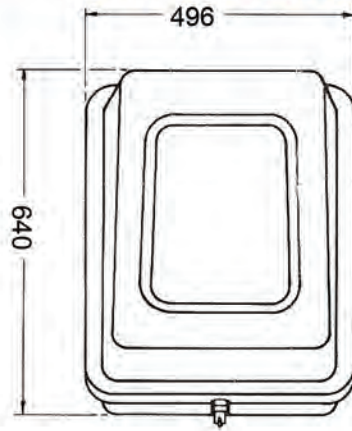
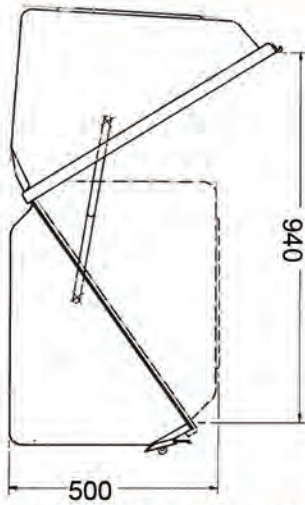
- Corrosion, UV and Acid Resistant
- Weather, Hose and Dust Proof
- Suitable for Purging
- Impact Resistant
- Reduce Installation Costs – have your equipment Pre-piped / wired in an FPB (prices on request)
- Refer to dimension drawings on reverse

- Pre Pigmented Gel Coated Finish
- Laminated Fibreglass
- Toughened Glass Front Window
- Lockable Stainless Steel Catch
- Safety Latch Stay to hold cover open
- Tag No. Description Label Recess

Reg no: 2010/012399/07
WWW.OIHCONTROLS.CO.ZA

Contact : 00 27 11 397 1105 Fax: 086 614 3355 email : sales@oihcontrols.co.za info@oihcontrols.co.za

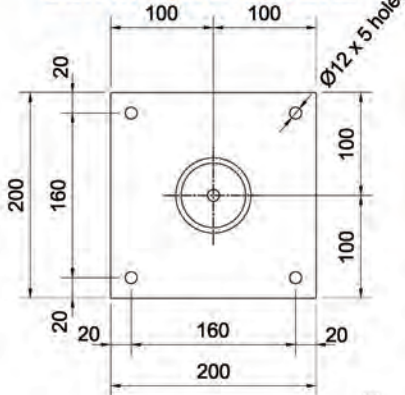
PRESS MOULDED PROTECTION ENCLOSURE



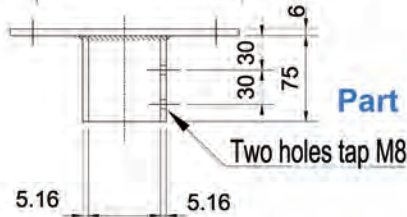
Laminated fibreglass Pre-pigmented gell coated finish
 Safety Stay to maintain cover in open position
 Security catch is fitted as standard
 Safety Glass window for inspection without opening the box

Part Number: OIH-BX1
 Large Box : 640 H x 500 W x 500 D
Part Number: OIH-BX4
 Medium Box: 430 H x 370 W x 330 D

BOX MOUNTING YOKE

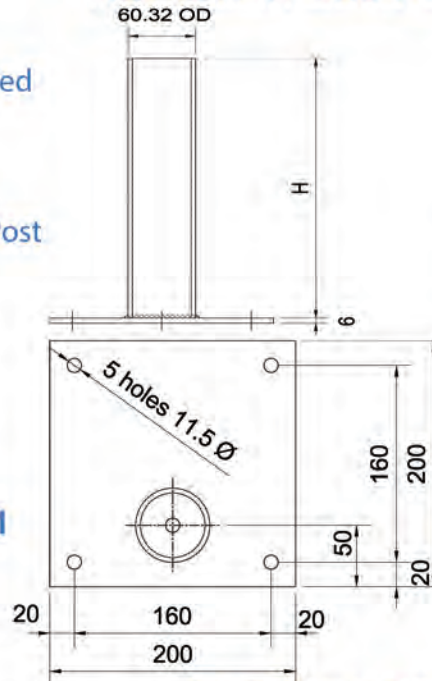


Electro Galvanised Mild steel
 To suit 50mm N.B. Mounting Post Or bracket



Part No.: OIH-A1

INSTRUMENT MOUNTING PILLAR

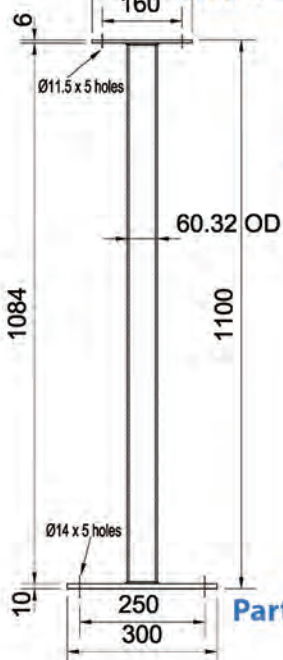


Yellow Passivated Mild Steel

To suit standard Instrument U" bolt fittings"

Large : 400MM
Part No: OIH A3D
 Medium: 300mm
Part No: OIH- A3E

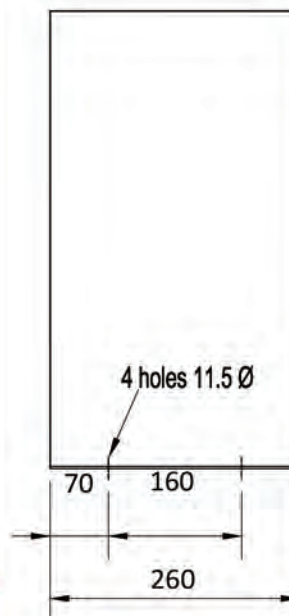
BOX MOUNTING POST



Hot dipped Galvanized Mild steel
 1.1m high

Part Number : OIH -A2

INSTRUMENT MOUNTING PLATE



Reversible Mount to front or rear of box

Yellow passivated 3mm mild steel

Large: 550mm x 210mm
Part No.: OIH-A4
 Medium: 320mmx210mm
Part No.: OIH-A4B

