

W-Series Differential

BETA products are manufactured in The Netherlands

Enclosures:

Cast Aluminum:

Oven baked powder coating
hammer tone grey

**Also available in
SS 316**

Wheaterproof IP 66 -
EN 60529 - Eex-d IICT6

(Nema 4X) -

Repeatability:

typical 0.2% of Full Scale

Range & Scale

Standard unit: **Barg**

Optional: **PSI / Kg / Pa**

Standard process conetion:

1/4" NPT (F) or BSP (F)

Standard Diaphragm/O-ring:

D..L/ M: Buna N / Buna N

D..H: TCP/ Buna N

For wetted parts:

more possibilities available, see
full catalogue

**BETA SWITCHES ARE,
BUILD TO LAST!**

Do you want to know more:

Please contact your local dealer
and ask for the General Bulletin.

Or contact us directly!



WWW.BETA-B.NL



Ranges for Differential switches

RANGE CODE	ADJUSTABLE DIFF. RANGE ¹⁾		TYPICAL DEADBAND ¹⁾		MAX. STATIC PRESSURE		MAX. OVERRANGE PRESSURE		PROOF PRESSURE	
	mBar / Bar		mBar / Bar		Bar		Bar		Bar	
D 302 L	12 - 75 ²⁾	mBar	7	mBar	30	Bar	30 ³⁾	Bar	35	Bar
D 304 L	22 - 180	mBar	8	mBar						
D 306 L	25 - 450	mBar	11	mBar						
D 309 L	35 - 1250	mBar	15	mBar	10	Bar	140 ⁴⁾	Bar	140	Bar
D 402 M	0.3 - 1.0	Bar	0.15	Bar						
D 404 M	0.5 - 2.5	Bar	0.2	Bar						
D 406 M	1.0 - 6.0	Bar								
D 408 M	1.0 - 14.5	Bar	0.8	Bar	100	Bar	200 ⁴⁾	Bar	200	Bar
D 506 M	5 - 20	Bar								
D 508 M	10 - 50	Bar								
D 608 M	10 - 70	Bar	1.5	Bar	140	Bar	200	Bar	200	Bar
D 352 H	80 - 160	mBar	25	mBar	200	Bar				
D 354 H	100 - 500	mBar	35	mBar						
D 356 H	120 - 1450	mBar	50	mBar						
D 359 H	150 - 3450	mBar	75	mBar						

NOTES:

- 1) Ranges and deadbands are given at 50% of Max. Static pressure.
All differential pressure sensors are sensitive to static pressure, both for setpoint and deadband.
- 2) Range only with L1 micro switch.
- 3) D...L can withstand a differential pressure P-low max. 1 bar above P-High.
- 4) D...M, D...H can sustain full High and Low-side reversal.

IN THE FOLLOWING TABLE THE ESTIMATED INFLUENCE FOR INCREASING STATIC PRESSURE IS GIVEN.

SENSOR	SETPOINT	DEADBAND
D...L	- 0.7 mBar/Bar	= - 0.1 mBar/Bar
D...M	= + 3 mBar/Bar	+ 10 mBar/Bar
D...H	- 2 mBar/Bar	= - 0.4 mBar/Bar

Example: D...H-type Diff. setpoint: 1 bar (1000 mbar).

If static pressure increases 10 bar Diff.setpoint will be (10 x - 2 mbar) = - 20 mbar less = 980 mbar.

NOTE: For differential application outside above ranges consult your BETA Switch Representative.

Disclaimer:

We reserve the right to make changes or modify the contents of this document without prior notice.
BETA B.V. does not accept any liability or claim whatsoever for potential errors, incorrect interpretation or possible lack of information in this document. It is clearly and only intended as course and general information of our products.

Making the modelcode: Follow steps 1 to 5

1 Selection of enclosure type.

Conduit:	Material:	Code:
3/4" NPT F	Aluminium	W3
M20 x 1.5	SS 316	W8
3/4" NPT F	SS 316	W9

2 Selection of range code, see front page.

3 Selection of process connection.

Size:	Material:	Code:
1/4" NPT F	SS 316 *	S1N
1/4" BSP F	SS 316 *	S1B
1/4" NPT F	Aluminium **	A1N
1/4" BSP F	Aluminium **	A1B
1/2" NPT M	SS 316	S7N

* Only for D..H, D..D and D..M available

** D..L: A1N or A1B For low side only.
High side: Only "L"-sensor connection

Proces connection according to NACE standard are available.
Consult your local BETA Switch Representative.

4 Selection of wetted parts *

Diaphragm:	O-ring:	Code:
Buna N	Buna N	B1 **
Viton	Viton	V2 **
SS 316	Buna N	S1
SS 316	Viton	S2
SS 316	Teflon	S4 **
SS 316	EPDM	S6
SS 316	Welded	S0 **

** Not possible for D..H. (P1 = Standard for D..H)

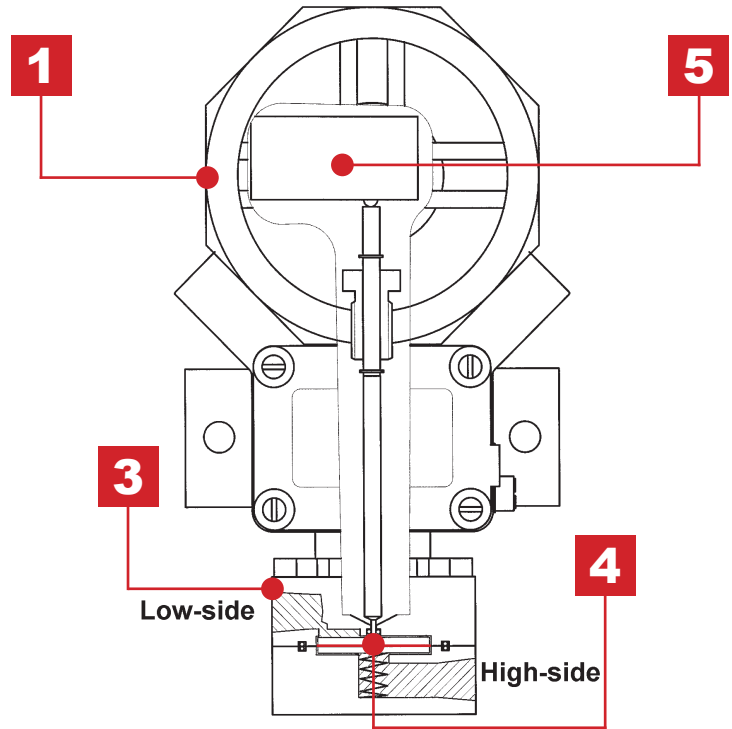
*** WETTED PARTS ARE NOT GUARANTEED,**
against corrosion or permeation since processes vary from plant to plant and concentration of harmful fluids, gasses or solids vary from time to time in a given process. Empirical experience by users should be the final guide and alter nate materials based on this are generally available.
The diaphragm / O-Ring combinations are for process temperatures of -5°C to +90°C, unless otherwise indicated.
For process temperatures beyond these limits. Please contact your BETA Switch Representative

Accessoires:

2" Pipe mount bracket set available.

Contents :
2 x Bracket +
2 x Bolts M8 x 100 mm + nut

Disclaimer :
This pipe mount bracket is solely intended for use in combination with BETA Pressure & Temperature Switches.
Foundation vibrations, as well as process vibrations, can disturb the proper functioning of the mounted instrument, the use of this bracket does not prevent or diminishes such occurrence.



5 Selection of microswitches.

Rating:		Use:	Code:
VAC.	VDC. ³⁾		
480/ 15A	28/ 0.5A	Standard	K1 ²⁾
480/ 10A	28/ 0.5A	Standaard for L-serie	L1 ²⁾
480/ 15A	125/ 0.5A	Normal DC-service	U1 ²⁾
125/ 1A	28/ 0.5A	For use in H ₂ S environment and/ or for (EEx) applications. ³⁾	G1 **
250/ 0.1A	30/ 0.1A		Y1 ¹⁾
250/ 0.1A	30/ 0.1A	Environmental proof (IP 67)	O1 ¹⁾
250/ 2A	30/ 2A		N1 ¹⁾

1) For D.P.D.T action, second code figure should be specified as "2"

For example: Y1 = S.P.D.T./ Y2 = D.P.D.T

2) VDE certified acc. to DIN EN 61 058-1:1992+A1:1993.

3) Indicated ratings are for resistive DC load only.

** DC Rating not U.L. listed, although experience and third party testing confirm the D.C Voltage ratings. Consult your local BETA switch Representative.

6 Selection of options.

Description:	Code:
Cable gland	C
Vacuum Protection Plate	M
Stainless steel tag key ringed to enclosure (Tag has 2 lines - 16 characters per line)	S

* Not possible for D..H. (Standard for D..L)