

VKL05 // for insertion installation

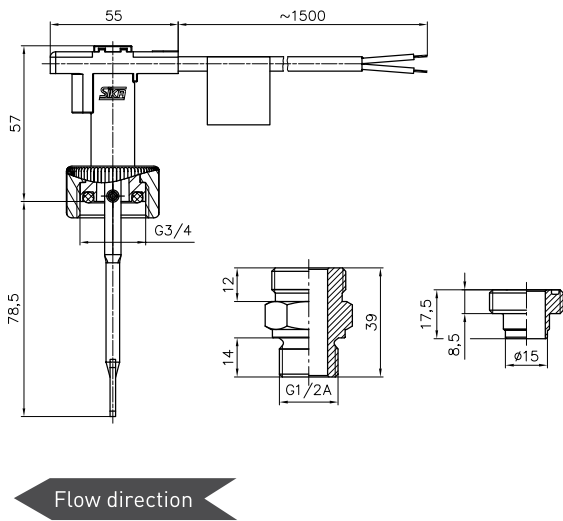


Your advantages

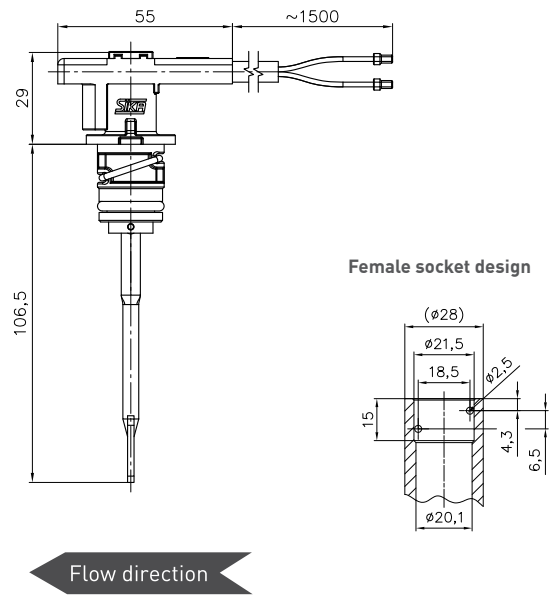
Series	VKL05 / VKL05 Push-In
	<ul style="list-style-type: none"> • Direct installation into pipe lines DN 50...150 • Optional: Push-In installation • Sealed with integrated O-ring

Technical data	VKL05 / VKL05 Push-In
Switching function	Contact closes at increasing flow
Nominal diameter range	Applicable in DN 50...150
Pressure rating	PN 10
Temperature ranges	
Medium	-20...70 °C
Ambient	-20...70 °C
Electrical data	
Electrical connection	1.5 m PVC jacket cable
Degree of protection EN 60529	IP65
Max. Switching current	1 A
Max. Rating	26 VA, 20 W
Max. Switching voltage	230 VAC, 48 VDC
Protection class EN 60730-1	Class II

VKL05



VKL05 Push-In



Materials in contact with fluid

Type	VKL05	VKL05 Push-In
Body	PPE+PS Noryl™ 30 % glass fibre reinforced	
Paddle	PPE+PS Noryl™ 30 % glass fibre reinforced	
Pin	PPE+PS Noryl™ 30 % glass fibre reinforced	
Magnet	Hard ferrite	
O-ring	EPDM	
Soldering adapter	Brass CW614N	
Process connection	Brass CW614N or stainless steel 1.4571	

Order code

Type

VKL05

VKL05M1P2BP

Process connection

Union nut G³/₄

U10

Threaded adapter G¹/₂ brass

R21

Threaded adapter G¹/₂ stainless steel

R23

Soldering adapter

D11

Push-In for manifold mounting

H20

Example order number

VKL05M1P2BP

U10